



**RYNAN**<sup>®</sup>  
**PRINTING**



# R20 & PRO

CONTROLLER

PRINthead

---

Touch Screen Controller  
With HP TIJ Printheads

## R20 PRO

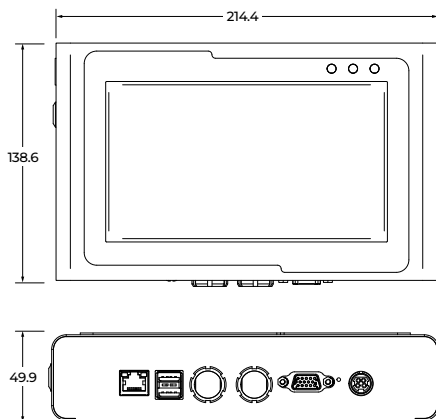


## TECHNICAL SPECIFICATIONS

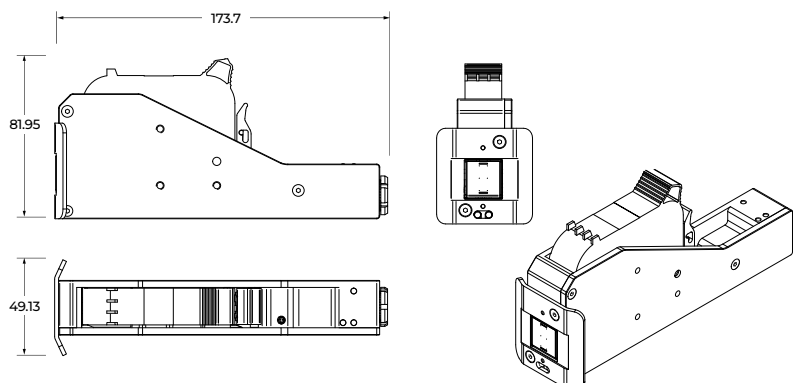
Printing Technology	HP TIJ 2.5
Controller Dimensions	214.4 x 138.6 x 49.9mm
Printhead Dimensions	173.7 x 81.95 x 49.13mm
Controller Weight	1,102.8g
Print Head Weight	284.8g
Display	7" LCD Touch Screen
Power Supply	AC 100V–240V, 50/60Hz, DC 24V 2.5A
Resolutions	Max 600 dpi x 600 dpi
Print Speed	76m/min @ 300x300 dpi
Density	3 levels
Throw Distance	1~5mm

## FEATURES

<b>Wide Range Of Print Types</b>	<ul style="list-style-type: none"> <li>Text, Counter</li> <li>Box/Lot</li> <li>Datetime</li> <li>Expiry Date</li> <li>Julian Date</li> <li>Shiftcode</li> <li>Image</li> <li>Database</li> </ul> <p>1D &amp; 2D Barcodes (Code 11, Code 39, Code 128, EAN, QR, Datamatrix, GSI Datamatrix...)</p>
<b>Printable Height</b>	Maximum 25.4mm / 2 heads
<b>External Connections</b>	<ul style="list-style-type: none"> <li>Build in sensor, LVDS Port</li> <li>External Sensor, Encoder and Alarm beacon</li> </ul>
<b>Template Length</b>	1.5m @ 300x300 dpi
<b>Database</b>	TXT, CSV
<b>Advance Features</b>	<ul style="list-style-type: none"> <li>Free design in template up to 1 inch (1 head)</li> <li>POD (Print online data) Integrate with other devices (PLC, Camera, Checkweigher...) via RJ45</li> <li>Real-time Printing</li> <li>WYSIWYG (what you see is what you get)</li> <li>Data upload, Backup &amp; Recovery via USB</li> </ul>
<b>Printable Characters</b>	Windows true fonts - Free design in template up to 1 inch (2 heads)
<b>Print Languages</b>	English (default), Vietnamese, Chinese (PRC), Turkish, Korean, Russian, Japanese, Hebrew, Spanish, Thai, Portuguese and Arabic...
<b>System Languages</b>	English (default), German, Vietnamese, Chinese, Korean, Russian, Turkish, Portuguese, Spanish, Polish, Greek and Italian (and others)



R20 Controller



PRO Printhead